

**DESCRIPTION**

Upright sign with tactile moving glacier bolder inc through boardwalk support

**MATERIALS**

Oak or similar  
HDPE or similar  
Marine grade stainless steel  
3mm Aluminium with PPC

**CLIENT**  
Connemara National Park

**PROJECT**  
Wayfinding and signage

**DRAWN BY**  
MV

**ISSUE**  
15.06.2026

**V1**

Exploded View

3mm aluminium graphic panel with PPC finish and applied digitally printed graphics. Includes a cutout for the steel rod handles.

Oak panelling

Glacier cutout made with 20mm HDPE and with digitally printed graphic fixed to handles with chubbed collars

1.5mm THICK STAINLESS STEEL TOP CAP WITH FOLDED RETURNS TO PREVENT WATER INGRESS WITHIN EXPOSED END GRAIN

FLAT ALUMINIUM BACK PANEL, STOOD OFF BY 5mm, PPC FINISH

**NOTE:**  
**Must be finger safe.**

FLAT ALUMINIUM BACK PANEL, STOOD OFF BY 5mm, PPC FINISH  
Approx 1112x904  
Must cover open framework and be removable using threaded inserts and bolts

**140x140 STRUCTURAL OAK FRAME and 20mm panelling**

12mm THK MILD STEEL BASE PLATE ASSEMBLY WITH GALVANISED FINISH, With 20mm holes for mounting to boardwalk with m16 bolts.

Guide rails front and back to minimise rotational movement when pulling or pushing the handles

Rear rotating disc with 8no. graphic dividers  
3no. handles and 3no. ball latches to rear with corresponding stopper holes in the panel behind..

Standard 4inch block 430x215x87 fitted with 40mm steel rod handles.

Internal concrete slab base

Heavy rubber stoppers

80mm steel section for mounting through boardwalk in concrete

20mm Central fixed HDPE or similar disc with cutout and graphics attached to central metal shaft.

**DESCRIPTION**

Upright sign with tactile moving glacier bolder inc through boardwalk support

**MATERIALS**

Oak or similar  
HDPE or similar  
Marine grade stainless steel  
3mm Aluminium with PPC

**CLIENT**  
Connemara National Park

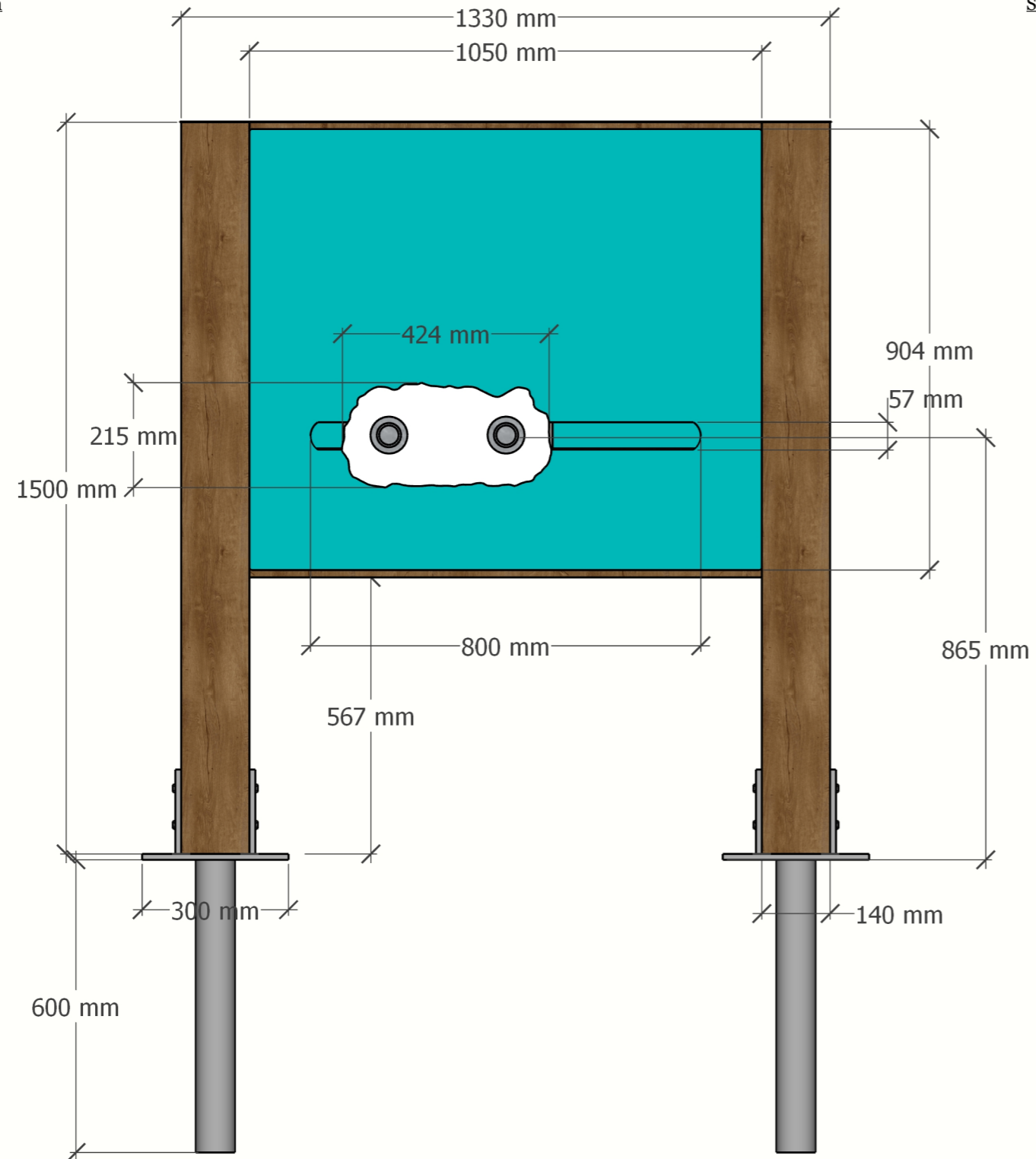
**PROJECT**  
Wayfinding and signage

**DRAWN BY**  
MV

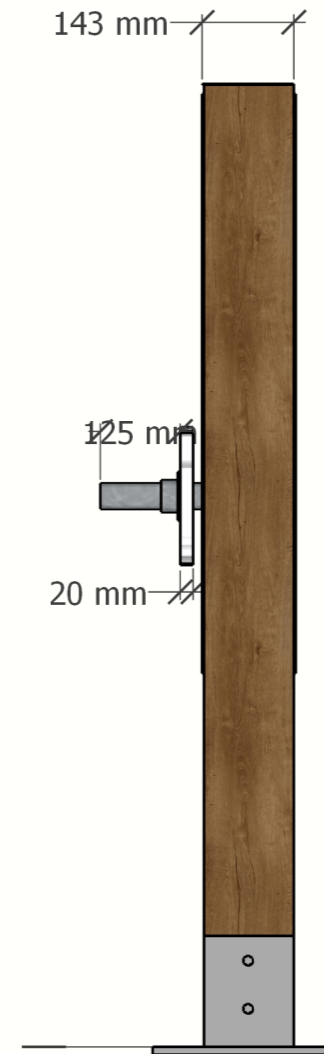
**ISSUE**  
15.06.2026

**V1**

Front Elevation



Side Elevation



Plan Elevation

